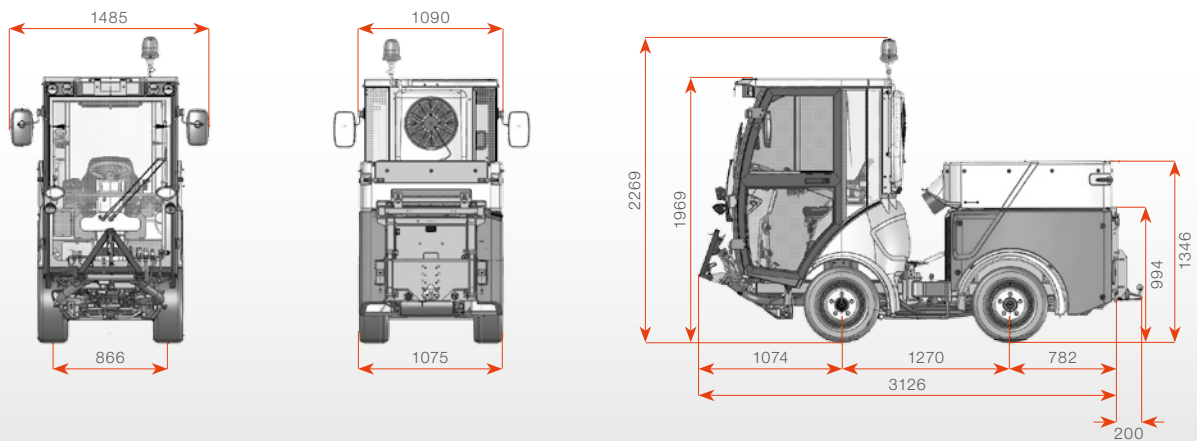


Convincing technical data



Technical data basic vehicle Citymaster 600	
Engine and Transmission	
Engine	<ul style="list-style-type: none"> • Water-cooled 3-cylinder YANMAR diesel engine with 1,642 ccm • Power output of 27.1 kW at 3.000 rpm, adjusted to 24.2 kW at 2,600 rpm • Direct fuel injection, 41 litre tank volume • Engine is below the limit values complying with the European Exhaust Emission Standard 97/68/EG Stage IIIa
Approval	<ul style="list-style-type: none"> • EU type approval, basic machine as tractor
Drive	<ul style="list-style-type: none"> • Hydrostatic drive with permanent all-wheel drive • Drive control with automatic load regulation in transport mode • 3-level constant speeds (ECO-Standard-MAX) in working mode
Hydraulics	<ul style="list-style-type: none"> • 2-circuit high-pressure hydraulics 195 bar • Circuit 1 27–37 l/min • Circuit 2 21–29 l/min • 2 hydraulic operation circuits, additionally 1 x electronically reversible at the front
Driving and Work Characteristics	
Speed	<ul style="list-style-type: none"> • Driving speed, automotive 0–25 km/h • Working mode, hydrostatic 0–25 km/h • Reverse mode 0–12 km/h
Chassis and Steering	<ul style="list-style-type: none"> • Hydraulically articulated 4-wheel chassis, tubular steel, steering angle 53° • Integrated and damped floating axle compensation for optimal curb climbing ability
Brakes	<ul style="list-style-type: none"> • Hydrostatic brakes via transmission • Additional mechanic service- and parking brake via foot pedal
Tyres	<ul style="list-style-type: none"> • 23 x 8.50 – 12 (standard tyres) • 23 x 10.50 – 12 (lawn tyres)
Cabin	<ul style="list-style-type: none"> • Single seat comfort cabin with comfort driver's seat, operating panel integrated in the arm rest • Central display showing all of the machine's functions, adjustable steering column • Hot water heating and optional air conditioning • Framed doors with sliding windows • Folding wing mirrors, adjustable from inside
Load values	
Deadweight	1,350 (implement carrier), 1,700 (sweeping machine)
Permissible total weight	2,200 kg, permissible axle load 1,200/1,500 kg (front/rear)
Dimensions	
H/W/L	Basic machine: 1,969 mm (cabin) x 1,090 (cabin)/1,075 mm (standard tyres) x 3,126 mm
Wheelbase	1,270 mm
Track width	866/926 mm
Turning radius inside	700 mm

Alterations in form, colour and design are subject to change in favour of further technical development. Images may contain optional extras.