



Instruction manual

Cleanserv VU4 (7130.02)

Introduction

Preface

Dear Customer,

We are certain that the excellent qualities of the machine will justify the faith you have shown in us through your purchase.

Please read the Chapter "Safety Information" prior to starting the machine to ensure it is operated and used safely.

Your safety, and that of others, basically lies in your ability to control and operate the machine. Before using the equipment for the first time, read this original manual thoroughly, act according to the information contained and keep it in a safe place for future reference or subsequent owners.

The operating manual contains all the important information you need to operate, maintain and service the machine. Throughout this operating manual, sections which concern safety are indicated by corresponding warning symbols.

Should you have any questions in respect of the machine or operating manual, your authorized Hako dealer is available to provide help at any time.

We would like to emphasize that no legal claims can be asserted in respect of any work described in this manual. Please note that only original spare parts should be used for any necessary maintenance and repair work. Only original spare parts can guarantee long, reliable equipment operation. We reserve the right to make technical improvements.

Valid from: April 2014

Hako GmbH
Hamburger Straße 209-239
23843 Bad Oldesloe
Telephone: +49 4531 806-0

Intended use

The Cleanserv VU4, including the accessories described here, is a brush vacuum cleaner for dry cleaning carpets e.g. in hotels, schools, hospitals, industrial plants, shops, offices and rented properties and complies with the requirements for industrial and commercial use. Any use beyond this is regarded as improper use. The manufacturer is not considered liable for any damage resulting from improper use; the user is solely responsible for all the risks. Intended use also includes maintaining and observing the operating, maintenance and repair conditions prescribed by the manufacturer. The Cleanserv VU4 may only be operated, serviced and repaired by personnel who are familiar with the work involved and are aware of the risks.

The applicable accident prevention laws must be observed and any generally accepted health and safety directives must be maintained.

Based on the conception, design and construction of the model introduced onto the market by us, the machine

Introduction

complies with the applicable basic safety and health requirements stipulated in the EC Directive (refer to Declaration of Conformity). This declaration is no longer considered valid in the event of modifications to the machine not authorized by us. The manufacturer is not deemed liable for any damage resulting from unauthorized modifications to the machine.

Information on the warranty

The terms defined in the purchase agreement apply. There are no rights to claims for compensation under the terms of warranty when the damage is a result of failure to observe the stipulations concerning service and maintenance. Maintenance work must be performed by authorized Hako service centers and confirmed in the "Maintenance Report" which serves as a warranty logbook.

The following are excluded from the terms of warranty: wear and tear through overuse, defective fuses, improper handling and use or unauthorized modifications. Claims under the terms of warranty are also annulled when damage occurs to the vehicle resulting from the use of parts or accessories not explicitly approved by us or from failure to observe maintenance regulations.

Acceptance of the equipment

Inspect the equipment immediately on delivery for signs of transport damage. Replacements for transport damage will be made when confirmation is provided immediately by the transporting company with regard to the damage and send the damage report to us together with the consignment note.

Table Contents





Introduction	2	Operation	13	5	Maintenance and Service .	22
Preface	2	2.1 Assembly	13	5.1	Daily maintenance	22
Intended use	2	2.2 Cleanserv VU4 method of operation	14	5.2	Weekly maintenance	22
Information on the warranty . . .	3	2.3 Starting up	14	5.3	Annual inspection.	22
Acceptance of the equipment. .	3	2.4 Working with the hand-held suction hose	15	5.4	Changing the paper filter bag	23
		2.5 Function faults	16	5.5	Cleaning the motor protection filter	24
1 Safety Information	5	2.6 Accessories	16	5.6	Changing the microfilter	25
1.1 Safety and warning symbols .	5			5.7	Changing the brush roller. . . .	26
1.2 General information	6	3 Operating and Indicator Elements	17		EC Declaration of Conformity	27
1.3 Operating information.	6					
1.4 Maintenance information	8	4 Technical Data	19			
1.5 Particular risks	9					
1.6 Environmental protection	9					
1.7 Behavior following faults or accidents	10					
1.8 Disposing of the machine. . . .	10					
1.9 Labels on the machine	11					

Safety Information

1 Safety Information

1.1 Safety and warning symbols

All sections related to personal safety, safety of the machine and environmental protection are assigned the following symbols throughout the operating manual:

Symbol	Damage to ...	Definition
Read operating manual 	persons or property	Safety information to prevent hazardous situations caused by a failure to follow instructions or prescribed working procedures accurately or at all.
Safety information 	persons or property	Safety information to prevent hazardous situations caused by a failure to follow instructions or prescribed working procedures accurately or at all.
Note 	the machine	Important information on handling the device to maintain its functioning ability.
Risk to environment 	the environment	Risks to the environment through using substances which represent a risk to health and the environment.

Safety Information

1.2 General information

- In addition to the information provided in this operating manual, all the legally applicable health and safety provisions must be observed.
- Before starting up the machine for the first time, read the operating manual supplied with it thoroughly as well as any separate manuals provided with additional or attachment devices and observe all the information during work.
- The Cleanserv VU4 may only be operated, serviced and repaired by persons who have received the necessary training from Hako personnel or personnel authorized by Hako.
- The appliance is not to be used by children or persons with reduced physical, sensory or mental capabilities, or lack of experience and knowledge, unless they have been given supervision or instruction.

- Particular attention should be paid to the information regarding safety. Technical expertise is the key to preventing errors when operating the equipment and ensuring trouble-free operation.
- The operating manual must always be kept at the operating location of the machine and, as a result, should be kept in a safe place on the machine.
- If the equipment is sold or rented out, these documents should be transferred to the new owner/operator. The transfer should be confirmed!
- The warning labels attached to the equipment provide important information concerning safe operation. Illegible or missing labels must be replaced by new ones.
- For reasons of safety, always use original spare parts.
- Keep children away from the machine.

1.3 Operating information

- **CAUTION** – This appliance is for dry use only and is not to be used or stored outdoors in wet conditions.
- **ATTENTION** – this machine is only intended for use indoors.
- This appliance is suitable for commercial use, for example in hotels, schools, hospitals, factories, shops, offices and rental businesses.
- Check the machine in respect of its perfect condition and operational safety each time before starting it up. Faults and defects, particularly in respect of the electrical system, must be cleared up immediately!
- Never complete any modifications to the machine. Any form of manipulation can have fatal consequences and, in all cases, annuls all rights to claims under the terms of warranty.
- Before starting work, the operator must be fully familiar with all adjustment, operating and control elements and accessories as well as their respective function! It is too late to do this when the machine is actually in operation! Only start work after you have followed the instructions in this manual and can

Safety Information

- operate the machine safely.
- Any use of the machine which deviates from that described in this operating manual represents a risk and must be avoided.
- The warning labels attached to the Cleanserv VU4 provide important information concerning safe operation.
- The machine may only be used for cleaning those surfaces which have been approved for it by the contractor or person appointed by him.
- It is forbidden to use the machine in potentially explosive atmospheres.
- It is forbidden to use the machine in electrostatically protected areas.
- CAUTION – This appliance is not suitable for picking up hazardous dust.
- The Cleanserv VU4 is not designed for clearing hazardous, combustible or explosive fluids or substances, e.g. cigarettes, fireplace ashes, etc.
- Do not vacuum up any items or substances which could damage the filter components, e.g. glass splinters, metallic cuttings, etc.
- Do not vacuum up any unknown substances or fluids whose properties you do not know.
- WARNING – Only use the brushes provided with the appliance or those specified in the instruction manual. The use of other brushes may impair safety. This also applies to the optional accessories described in the operating manual.
- After switching the machine on, you must immediately start to move the Cleanserv VU4 across the floor, otherwise imprints of the brush could be caused.
- Do not allow the rotating brushes to come into contact with the supply cord:
- When using an electrical extension cable, ensure that it is compatible with the machine's power cable and performance data and is in perfect condition. If in doubt, contact your authorized Hako service center or a suitably qualified electrician.
- If smoke, foam or liquid escapes from the machine, switch it off immediately and disconnect the power plug.
- Floor cleaning machines may only be operated by appropriate persons who have been trained in respect of their operation, have proved their capability to operate them to the contractor or their representative and have been explicitly charged to use the machine.
- Always wear heavy duty, non-slip footwear when working with the machine.
- When using the machine, it is essential to pay attention to third parties, especially children.
- Never leave the Cleanserv VU4 unattended when it is switched on. Always switch the machine off and disconnect the power plug from the power socket.
- Do not pull or transport the machine using the power cable.
- Transport the machine in the original packing, if possible.

Safety Information

- Secure the machine from rolling away during transport. Pack accessories separately and secure them.
- If you are not operating the machine, store it out of reach of children.
- Children being supervised not to play with the appliance.
- If you are not going to use the machine for some time, store it in a clean, dry location. Do not use the machine outdoors or expose it to the weather.

1.4 Maintenance information

Proper maintenance of the brush vacuum cleaner is a major aspect in preventing accidents.

- The maintenance work and maintenance intervals prescribed in the operating manual must be adhered to.
 - Operating personnel must complete the necessary daily and weekly maintenance work. All other maintenance work must be completed at your nearest Hako service center.
 - Before completing any cleaning and maintenance work or replacing parts, switch the machine off and disconnect the power plug from the power socket. This applies particularly with regard to work on the electrical system!
 - Suitable tools must be used for cleaning and maintenance work.
- Spare parts must comply with the minimum technical requirements stipulated by the manufacturer! This is ensured by the use of original spare parts.
 - It is not permitted to clean the machine with a pressure washer or steam blaster.
 - It is not permitted to use aggressive and corrosive cleaning agents.
 - Where necessary, the Cleanserv VU4 must be subjected to an annual electrical safety test by an authorized expert in accordance with the accident prevention regulations. The results of the test must be documented in writing and kept at least until the next test.
 - Observe legal regulations and local directives.

Safety Information

1.5 Particular risks

- The following applies for fault location and fault clearance: Switch the machine off immediately and disconnect the power plug from the power socket!
- Clear faults immediately.
- Always disconnect the power plug when working on the electrical system.
- Work on the electrical equipment may only be carried out by electricians who have received the necessary training and in accordance with the electrical engineering regulations.

- The machine's electrical equipment must be inspected/checked at regular intervals. Defects, such as loose connections and cable damage, must be rectified immediately.
- The appliance is to be disconnected from its power source during cleaning or maintenance.
- Only use original fuses with the prescribed amperage.
- Regularly examine the supply cord for damage. If damaged, replace the cord, specified, before further use.
- The damaged power cable must be replaced at an authorized Hako service center or by an appropriately qualified electrician.

1.6 Environmental protection

- A certain factual expertise is required in order to use substances which could represent a risk to health and the environment.
- Observe the applicable laws and local regulations when disposing of the vacuumed waste.
- Clean the dust filter outdoors and wear personal protective equipment when doing so! Do not inhale the dust.
- Dispose of the dust according to the applicable environmental laws!

Safety Information

1.7 Behavior following faults or accidents

- Switch the machine off immediately and disconnect the power plug if an abnormal situation, risk, accident or functional fault arises or if it can no longer be used safely during operation.
- Inform colleagues, superiors, emergency services or others according to the type of fault.
- If necessary, take precautionary measures to prevent third parties switching the machine on unintentionally.
- Prevent any hazardous situations developing by informing yourself of the type and special aspects of the substances to be vacuumed up prior to actually starting work.

1.8 Disposing of the machine

- Cut off the power cable to render the machine inoperable. It must not represent a potential source of danger for children.
- Dispose of the device according to the applicable local regulations.
- For further information on handling and recycling, please contact your authorized Hako dealer where you purchased the machine.

Safety Information

1.9 Labels on the machine

The following safety and warning labels are attached to the machine where easily legible.



Missing or illegible labels must be replaced immediately.

Company logo (Fig. 1/1)

Hako

Indication of disinfecting effect: The machine combats bacteria, fungi and dust mites (Fig. 1/2)

ANTISEPTIC TREATMENT

to eliminate bacteria's fungi's and dust mites



TOTAL

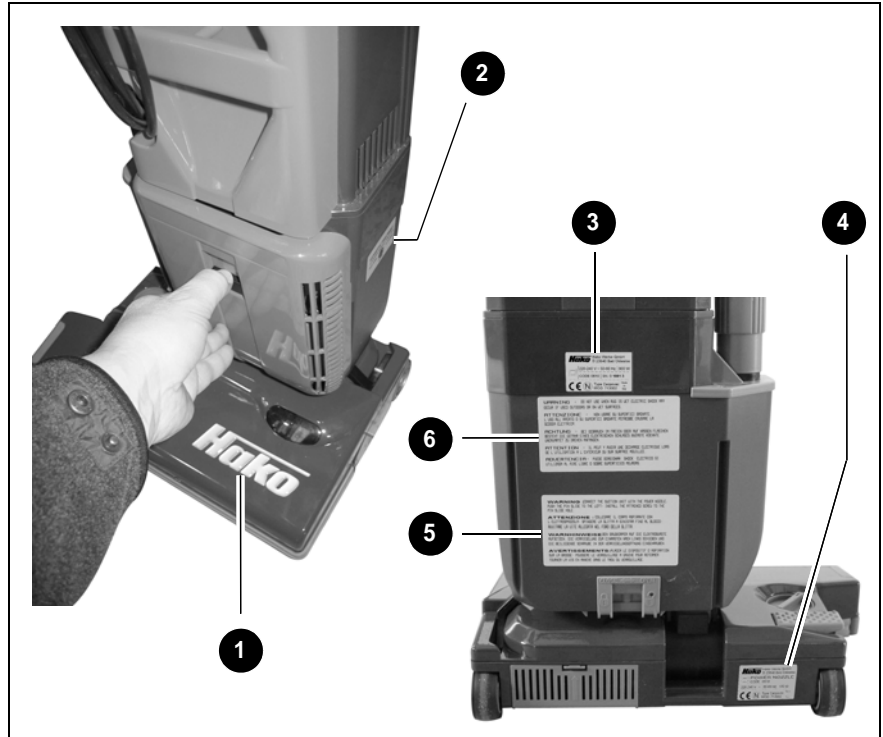


Fig. 1

Safety Information

Rating plate (Fig. 1/3)

The rating plate is on the rear side of the machine.



Assembly notes for electrical brush (Fig. 1/5)

WARNING : CONNECT THE SUCTION UNIT WITH THE POWER NOZZLE. PUSH THE PIN SLIDE TO THE LEFT. INSTALL THE ATTACHED SCREW INTO THE PIN SLIDE HOLE.

ATTENZIONE : COLLEGARE IL CORPO ASPIRANTE CON L'ELETTROSPAZZOLA. SPINGERE LA SLITTA A SINISTRA FINO AL BLOCCO. AVVITARE LA VITE ALLEGATA NEL FORO DELLA SLITTA.

WARNHINWEISE : DEN SAUGKÖRPER AUF DIE ELEKTROBÜRSTE AUFSETZEN. DIE VERRIEGELUNG ZUM EINRASTEN NACH LINKS SCHIEBEN UND DIE BELIEBENDE SCHRAUBE IN DER VERRIEGELUNGSÖFFNUNG EINSCHRAUBEN.

AVERTISSEMENTS : PLACER LE DISPOSITIF D'ASPIRATION SUR LA BROUSSE. POUSSIERE LE VERROUILLAGE À GAUCHE POUR REFERMER. TOURNER LA VIS EN ANNEXE DANS LE TROU DU VERROUILLAGE.

Safety information: Do not use the machine outdoors or on wet surfaces! (Fig. 1/6)

WARNING : DO NOT USE WHEN RUG IS WET. ELECTRIC SHOCK MAY OCCUR IF USED OUTDOORS OR ON WET SURFACES.

ATTENZIONE : NON USARE SU SUPERFICI BAGNATE. L'USO ALL'APERTO O SU SUPERFICI BAGNATE POTREBBE CAUSARE LA SCOSSA ELETTRICA.

ACHTUNG : BEI GEBRAUCH IM FREIEN ODER AUF NASSEN FLÄCHEN BESTEHT DIE GEFAHR EINES ELEKTRISCHEN SCHLAGES. BÜRSTE KOENNTE UNERWARTET ZU DREHEN ANFANGEN.

ATTENTION : IL PEUT Y AVOIR UNE DÉCHARGE ÉLECTRIQUE LORS DE L'UTILISATION À L'EXTÉRIEUR OU SUR SURFACE MOUILLÉE.

ADVERTENCIA : PUEDE OCASIONAR SHOCK ELÉCTRICO SI UTILIZADA AL AIRE LIBRE O SOBRE SUPERFICIES MOJADAS.

Brush head rating plate (Fig. 1/4)

The rating plate is on the rear side of the brush head.



2 Operation

2.1 Assembly

For transportation reasons, the shaft, suction hose and brush head are not assembled. Proceed as follows to assemble these parts:

1. Insert the shaft (Fig. 2/3) in the opening at the top of the vacuum cleaner and press down until the locking mechanism (Fig. 2/4) engages.
2. Insert the suction hose (Fig. 2/2) in the top of the vacuum cleaner.
3. Insert the intake pipe (Fig. 2/1) at the bottom of the vacuum cleaner.
4. Insert the vacuum cleaner in accordance with Fig. 2 on the brush head (Fig. 2/5) and slide the lock (Fig. 3/6) to the left "CLOSE".

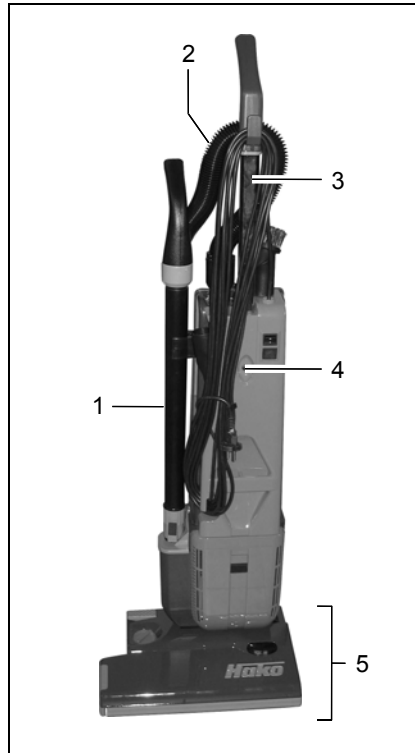


Fig. 2

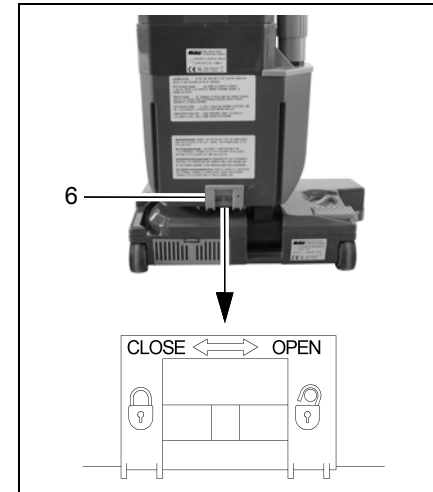


Fig. 3

- 1 Intake pipe
- 2 Suction hose
- 3 Shaft
- 4 Locking knob for shaft
- 5 Brush head
- 6 Locking mechanism

Operation

2.2 Cleanserv VU4 method of operation

The Cleanserv VU4 brush vacuum cleaner – which combines brushing and vacuuming – provides intense, thorough cleaning. It is gentle to carpets, so extending the service life of textile flooring.

The Cleanserv VU4:

- brushes the carpet pile, removing adhesive dirt,
- separates the pile, simplifying vacuuming up the particles of dirt,
- realigns the pile, ensuring optimum cleaning even in the case of stubborn dirt and worn surfaces, carpets exposed to extensive use.

The Cleanserv VU4, the hand-operated vacuum cleaner with brush base, for thorough, gentle cleaning of carpets distinguishes itself:

- through high area coverage, thanks to the broad working width of the brush base and optimum accumulation of dirt during one sweep,
- through the speed with which it can be operational, thanks to its compact design,
- through being easy to carry, thanks to the handle arranged at the machine's center of gravity,
- through its small spatial requirements, thanks to the compact dimensions,
- through its long life, thanks to its high performance drive motors and high quality materials.

2.3 Starting up

Take the power plug and connect it to a power socket with a mains power supply of 230 Volt and a fuse of 16 A (slow-blow).

1. Switch the Cleanserv VU4 on using the On/Off switch (Fig. 6/5) and move the locking device (Fig. 4/1) to its working position.
2. Adjust the height of the brush according to the conditions at the location of use.
3. Turn the rotary knob (Fig. 4/2) clockwise: set the brush lower.
4. Turn the rotary knob (Fig. 4/2) counterclockwise: set the brush higher.



To clean close to borders, use the right-hand side of the brush head.

After completing your work, actuate the Off switch.



Never leave the machine unattended when switched on. Switch the Cleanserv VU4 off and disconnect the power plug.

Operation



Fig. 4

2.4 Working with the hand-held suction hose

The Cleanserv VU4 can also be used to clean areas which are difficult to access, e.g. to clean corners or confined spaces. Set the shaft to its vertical position. Pull out the suction hose (Fig. 5/1) in the direction of the arrow as illustrated in Fig. 5. Fit the nozzle or rotating brush on the suction hose.

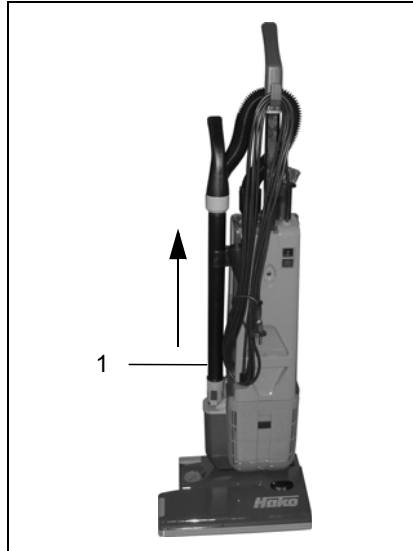


Fig. 5



The suction hose can be extended to a length of approx. 2.4 m.

Operation

2.5 Function faults

Fault	Cause	Solution
The Cleanserv VU4 does not switch on	No voltage	Check the fuse ^{*)} , cable, power socket and power plug
The brush head does not work, although the Cleanserv VU4 is switched on the suction turbine is running	Set the shaft to its vertical position The brush motor is switched off due to overloading (green and red indicators light up on the brush head)	Set the shaft to its working position (release locking device) Switch the Cleanserv VU4 off
The suction power deteriorates	The paper filter bag is full or the suction hose is blocked The microfilter is blocked	The brush is blocked by foreign bodies; remove it, e.g. tape, wire etc. Replace a new paper filter bag or clear the blockage Insert a new microfilter

^{*)} If the mains fuse (16 A) is repeatedly tripped, the machine must be inspected at an authorized Hako service center.

2.6 Accessories

- **HEPA filter (7205)**
To filter out microparticles.
- **Paper filter bag (7218)**
10 x dust and dirt filter bag and 2 x micro-filter.
- **Synthetic bag (7215)**
Pack of 5.

3 Operating and Indicator Elements

- 1 Nozzle
- 2 Suction hose
- 3 Handle
- 4 Shaft
- 5 On/Off switch
- 6 Change filter indicator
- 7 Power plug with cable
- 8 Carrying handle
- 9 Cover latch
- 10 Control lamps for brush pressure
- 11 Bearing, brush roller
- 12 Rotary knob for brush height adjustment
- 13 Locking device
- 14 Intake pipe
- 15 Locking knob for shaft
- 16 Unlocking mechanism for rear cover
- 17 Rotating brush
- 18 Locking mechanism for brush head
- 19 Brush head

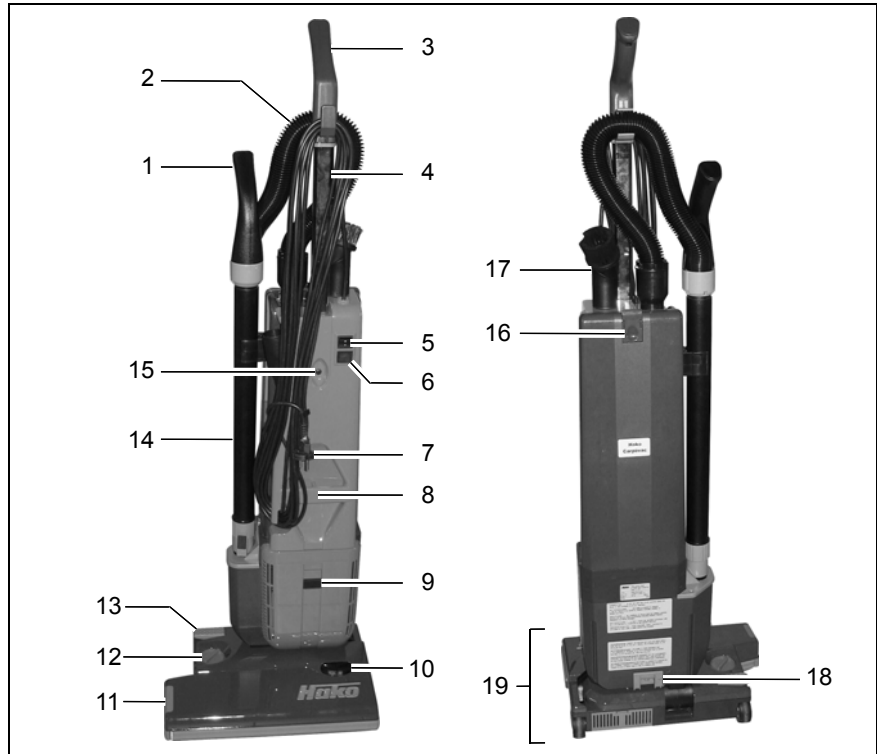


Fig. 6

Operating and Indicator Elements

Handle (Fig. 6/3)

Hold the handle and use it to guide the Cleanserv VU4; the suction hose and nozzle remain fixed to the shaft.

Intake pipe with hose

(Fig. 6/14 and 6/2)

It serves to vacuum up the dirt swept by the brush. In addition, the suction hose can be used to vacuum up dust when extended or clean areas difficult to access when the nozzle is fitted.

On/Off switch (Fig. 6/5)

It serves to switch the Cleanserv VU4 on and off.

Change filter indicator (Fig. 6/6)

It lights up when the filter bag needs to be changed or when the suction or brush is blocked. The suction power is then reduced.

Locking knob

for shaft (Fig. 6/15)

It serves to lock the shaft extension.

To pull out the shaft, press and hold the locking knob.

Power plug

with cable (Fig. 6/7)

It serves to connect the Cleanserv VU4 to a 230 Volt power socket. Fuse: 16 A.

Carrying handle (Fig. 6/8)

It serves to carry/transport the Cleanserv VU4.

Locking device (Fig. 6/13)

It serves to set the Cleanserv VU4 vertical, e.g. for transportation or storage.



The brush head of the Cleanserv VU4 cannot be switched on when in a vertical position (safety circuit/protects against carpet damage).

Rotary knob

for brush height adjustment

(Fig. 6/12)

It enables the height of the brush to be adjusted according to the conditions at the location of use.

Turn counterclockwise: increase height of brush

Turn clockwise: reduce height of brush

Control lamps

for brush pressure (Fig. 6/10)

When the green control lamp lights up, the brush height (brush pressure) is correct. If the green and red lamps light up simultaneously, the brush motor is overloaded and switches off automatically. The brush height must then be increased. To switch the Cleanserv VU4 back on again, actuate the On/Off switch once (RESET).

Nozzle (Fig. 6/1)

The nozzle is included in the range of parts supplied with the Cleanserv VU4 and serves for cleaning areas difficult to access.

Technical Data

4 Technical Data

Dimensions		
Width	cm	38
Height	cm	120
Depth	cm	22
Length of hand-held suction hose (extended/retracted)	cm	240/63
Working width		
Brush roller	cm	35
Weight		
Total weight	kg	7,8
Electrical installation		
Mains power supply	V/Hz	230/50
Type of current		Alternating current (AC)
Total nominal power	W	900
Protection class		II
Brush head		
No. of brushes (brush roller)	Pieces	1
Brush motor output	W	180
Brush roller speed	rpm.	5000

Technical Data

Aspirating engine		
Output	W	720
Air flow rate	l/sec	49
Fan vacuum	mm WS	2000
Noise emission value		
Sound pressure level in accordance with DIN 45635	dB (A)	69
Standard accessories		
Nozzle		
Rotating brush		
Special equipment		
Electronic control unit		
Washable fabric sack		
HEPA filter, Class S (for clean rooms)		
Activated carbon filter		
Fan accessories		

Technical Data

<p>Device features:</p> <p>Area of use: For the dry cleaning of carpets inside industrial buildings (e.g. plants, hotels, hospitals, residential homes, cleaning businesses)</p> <p>5-stage microfilter system (combats viruses, bacteria, fungi and microparasites)</p> <p>Approved for use in hospitals</p> <p>Volume filter bags</p> <p>Exchange of brush roller with V-bristle arrangement without tools</p> <p>Control lamp for changing the filter bags</p> <p>Automatic device switch-off when shaft is vertical</p> <p>Electronic control for slow motor startup and shutdown when the brush roller is blocked</p> <p>Infinitely variable brush height adjustment (with electronic adjustment and pressure control)</p> <p>10 m reinforced power cable</p> <p>Telescopic pipe (can be extended up to 1.5 m)</p> <p>Rotary hose</p> <p>Low noise due to double insulation and 4 rubber wheels</p> <p>Housing made of impact-proof material</p>	<p> </p>	<p>4</p>
--	----------	----------

5 Maintenance and Service

It is essential to pay attention to the information in Chapter "Safety Information" before completing any service or maintenance work! By adhering to the maintenance work recommended by us, you can be sure that the machine is always ready to be put into operation. Maintenance and repair work necessary on a daily and weekly basis can be carried out by an operator trained to complete the work, all other Hako system maintenance may only be completed by personnel who are correspondingly qualified and trained. Please contact your nearest Hako service center or Hako authorized dealer. Failure to observe this annuls any rights to claims under the terms of guarantee in respect of resulting damage or consequential damage. Always specify the serial number in the case of inquiries and spare parts orders, refer to Section 1.9 - Rating plate.

5.1 Daily maintenance

- Check the power cable, operating elements and accessories are fitted properly and for signs of damage.
- Check and clean the brush roller, change if damaged.
- Check the motor protection filter for dirt and, if necessary, tap to clean it or replace it as necessary.
- Check the microfilter and change it if necessary. Replace with each fifth paper filter bag change at the latest.
- Check the paper filter bag, remove and change when the filter change indicator (Fig. 6/6) lights up.

5.2 Weekly maintenance

- Clean the exterior of the machine with a damp cloth. Use a mild cleaning agent, if necessary. Do not use any aggressive cleaning agents.
- Clean the intake pipe/hose, remove any deposits and dirt.
- Check the wheels/rollers run easily and for signs of damage.

5.3 Annual inspection

Complete an electrical safety inspection in accordance with the applicable accident prevention regulations.

Maintenance and Service

5.4 Changing the paper filter bag

The paper filter bag must be changed as soon as the control lamp under the On/Off switch lights up (reduced suction power).

1. Open and remove the cover (Fig. 7/2) in accordance with Fig. 7.
2. Pull the paper filter bag (Fig. 7/3) downwards from the nozzle (Fig. 7/4) and remove it from the filter compartment (Fig. 7/1).
3. Insert a new paper filter bag (Fig. 7/3).



Never operate the Cleanserv VU4 without a paper filter bag.



Only use original paper filter bags:
10 dust and dirt filter bags
made of paper plus two
microfine filters
(order number 7218)
or
5 synthetic bags
(order number 7215).

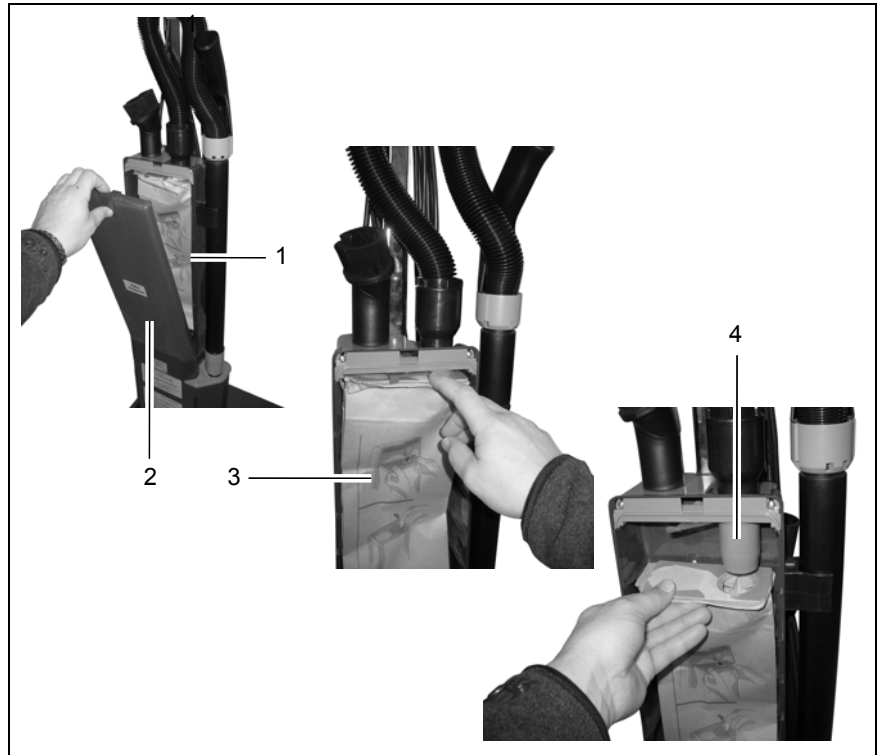


Fig. 7

Maintenance and Service

5.5 Cleaning the motor protection filter

The motor protection filter, underneath the filter compartment, must be checked regularly for accumulation of dirt and, when necessary, tapped clean or replaced by a new one.

Proceed as follows to replace the motor protection filter:

1. Open the filter compartment (Fig. 8/1) and remove the protection filter in accordance with Fig. 8.
2. Open up the filter support (Fig. 8/3), remove the filter cloth (Fig. 8/2) and clean it.



Ensure the motor protection filter is fitted correctly because this filter protects the air intake section from dirt.



Fig. 8

Maintenance and Service

5.6 Changing the microfilter

This filter should be changed with each fifth paper filter bag change.

1. Press the cover latch (Fig. 9/2) and remove the microfilter cover (Fig. 9/1).
2. Remove the plastic grid (Fig. 9/3) and replace the microfilter (Fig. 9/4) (2 pieces are enclosed with the paper filter bags).
3. Reinsert the microfilter (Fig. 9/4) and replace the microfilter cover (Fig. 9/1).

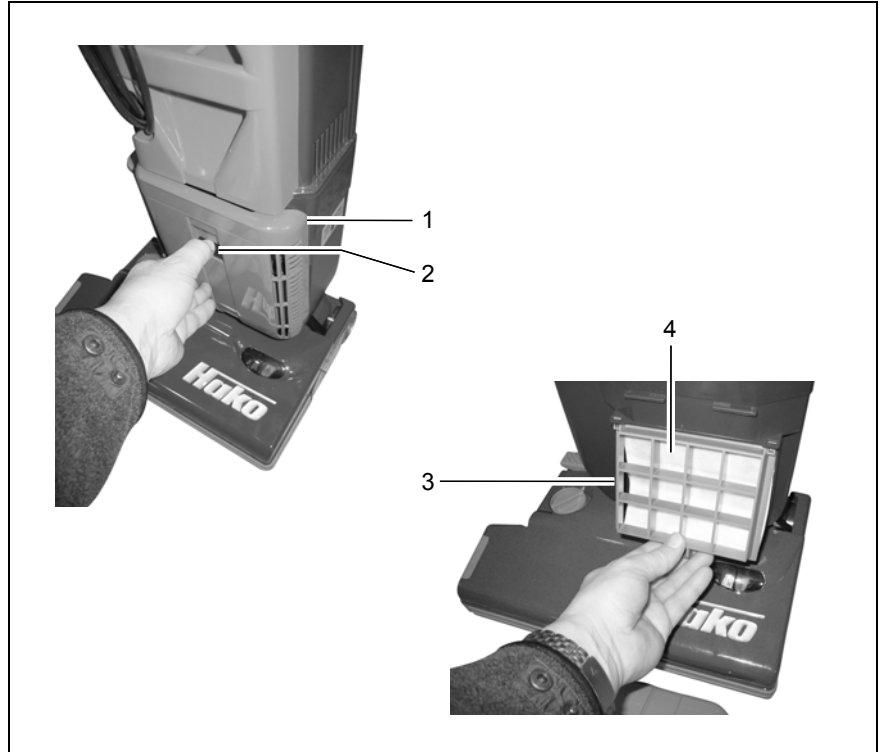


Fig. 9

Maintenance and Service

5.7 Changing the brush roller

The brush roller can be removed in just a few steps:

1. Switch the Cleanserv VU4 off and disconnect the power plug.
2. Remove the brush head (Fig. 10/6).
3. Remove the base plate (Fig. 10/2) by removing the 4 slotted-head screws with a screwdriver.
4. Raise the bearing (Fig. 10/4) and brush roller (Fig. 10/5) far enough so that both parts can be removed from the housing (Fig. 10/7).
5. Pull the brush roller (Fig. 10/5) from the brush shaft (Fig. 10/3).
6. Slide the new brush roller (Fig. 10/5) on the brush shaft (Fig. 10/3). Pay attention that the brush roller (Fig. 10/5) is installed the right way round and the catch engages in the brush.
7. Replace the bearing (Fig. 10/4) and press back in the housing (Fig. 10/7).
8. Screw the base plate (Fig. 10/2) back on.

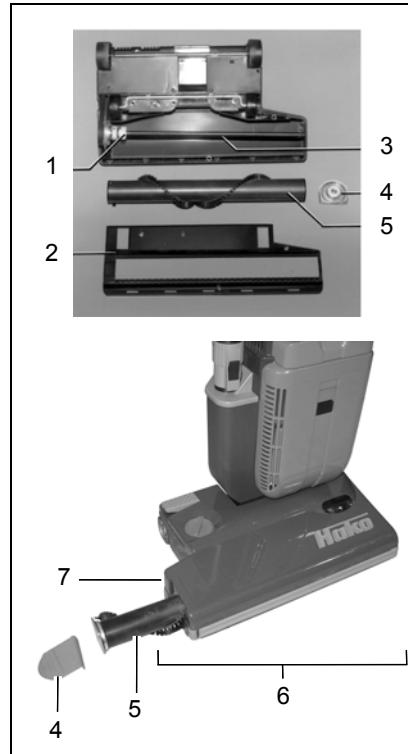


Fig. 10

- 1 Catch
- 2 Base plate
- 3 Brush shaft
- 4 Bearing
- 5 Brush roller
- 6 Brush head
- 7 Housing



Finally, open the small flap (Fig. 11/1) at the back of the brush head (Fig. 10/6) and remove any accumulated dirt, if necessary.

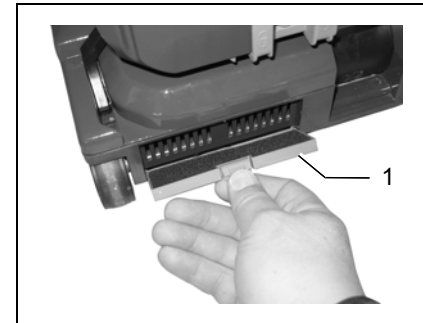


Fig. 11

EC Declaration of Conformity (corresponds to EU Directive 2006/42/EU)

Hako GmbH
Hamburger Straße 209-239
D-23843 Bad Oldesloe

declare under our sole responsibility,
that the product

Cleanserv VU4
Typ: 7130.02

to which this declaration relates, corresponds to the relevant basic safety and health requirement of the Directive 2006/42/EC, and to the requirements of the other relevant Directives: 2004/108/EC.

For the relevant implementation of the safety and health requirements mentioned in the Directives, the following standard (s) and / or technical specification (s) has (have) been respected:

EN 60335-2-69
EN 61000-3-2
EN 61000-3-3
EN 55014-1
EN 55014-2

Bad Oldesloe, 22.04.2014



Dr. Rainer Bavendiek
Director R&D

Name of the person authorised for Hako to compile the technical file:

Ludger Lüttel

Hako

Clean ahead

Spitzentechnik für eine saubere und schönere Umwelt

Advanced Technology for a Cleaner, Better Environment



Hako GmbH · Hamburger Str. 209-239 · D-23843 Bad Oldesloe
☎ +49 4531 806-0 · Fax +49 4531 806-338

88-10-2910 - 3100-01